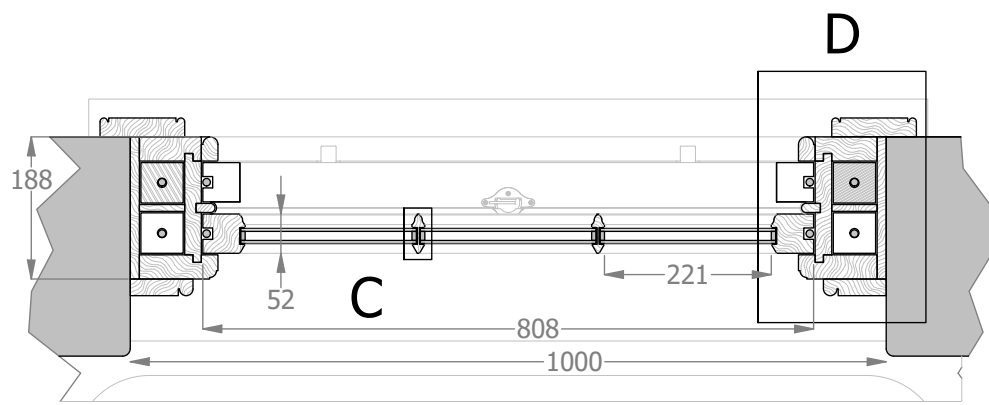
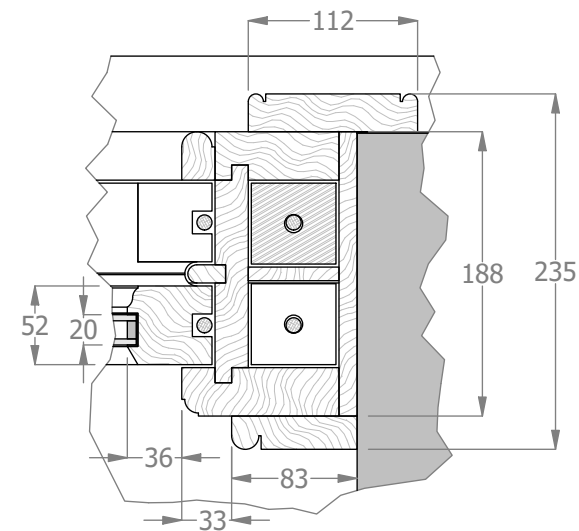


C (1 : 1)



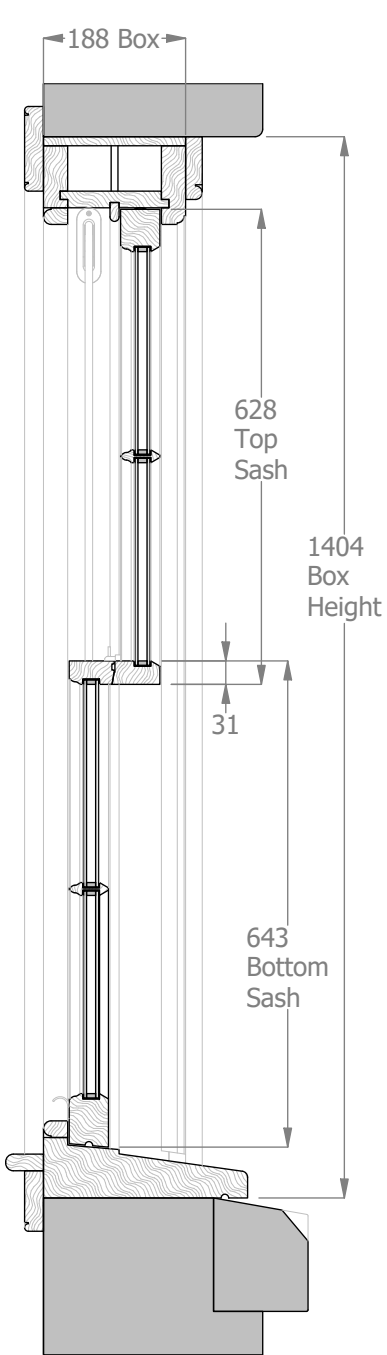
SECTION B-B (1 : 10)



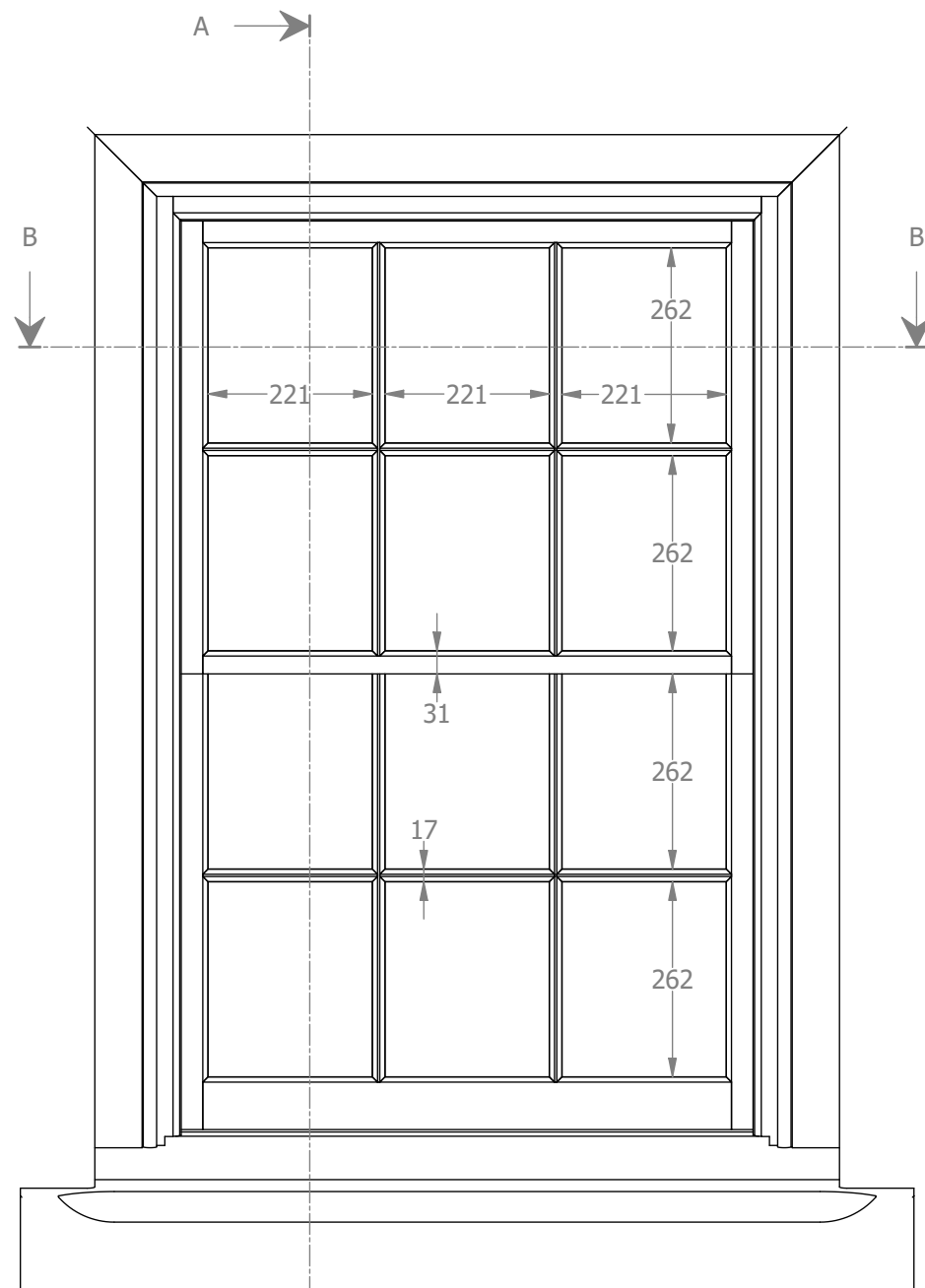
D (1 : 5)



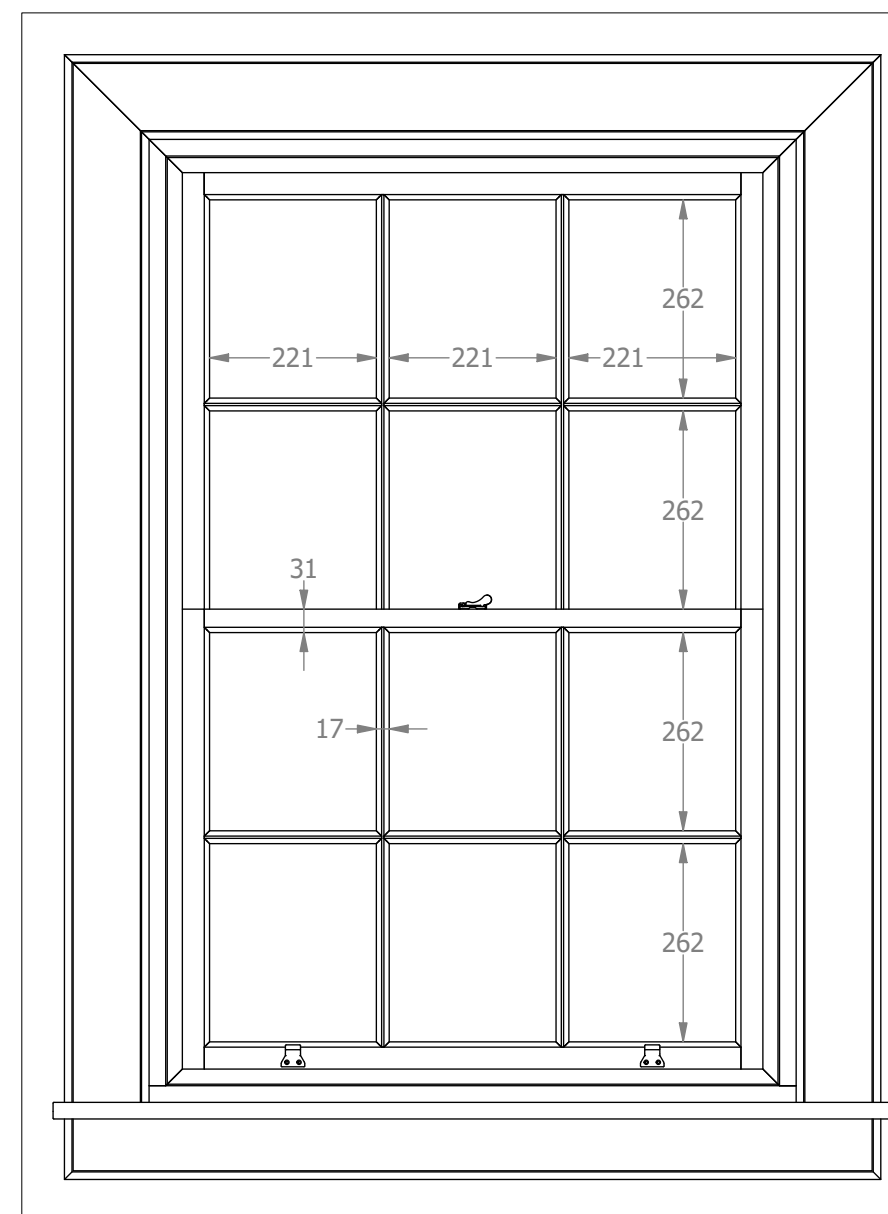
Typical External Elevation not to scale



SECTION A-A (1 : 10)



Typical External Elevation 1:10 on A3



Typical Internal Elevation 1:10 on A3

Project:

Client:

Drawing Title:

Scale:

Drawing Number:

Issue Date:

**Shawn Winn  
Draughtsman**

Joinery, Engineering,  
Mechanical & Electrical,  
Construction Detailing.

7 Havelock Terrace  
Yondertown, Devon PL21 9SP  
07901-725795 / 01752-837494  
shawn@devondraughtsman.co.uk